

MAJ : 18/09/2023



Non contractual picture

μ AME 17_PC actuator has an astatic design, it generates bidirectional forces with a very high resolution.

1 - Description

- Its patented design is cost effective and robust.
- The system is driven by a stepper motor. It permits a stable and constant force application without power supply thanks to its irreversible mechanics.
- The output rod with its floating head allows angular and radial misalignments without generating any parasitic torque not friction.
- The actuator can be customized upon customer request

2 – Possible applications

- Mirror deformation for wavefront correction
- Application of forces with high resolution
- Static actuator with controlled force

3 – Technical specifications

Motor:

Stepper motor

Supply voltage	24V
Nominal current	0.5 A rms/phase

Specifications:

Force resolution	0.5 mN/step
Force range	± 17 N
Linearity (after calibration)	0,1%
Hysteresis	1%
Repeatability	0.01 N RMS
Accuracy (after calibration)	0.02 N RMS

Duty ratio:

According to application, Please ask.

Speed:

Up to 4N/s

Working temperature :

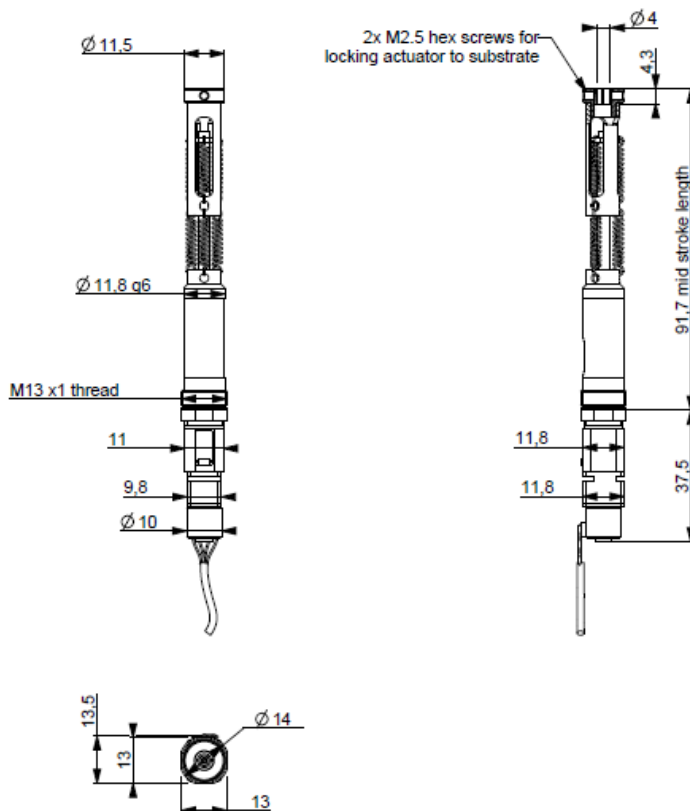
20 to 22 °C

Actuator mass:

About 100 g

Options:

- Dedicated connector
- Controller
- Interface for fixation to a mirror



ISP SYSTEM
Z.I. de la Herry
65500 VIC-EN-BIGORRE – France

+33 (0)5 62 33 44 44
contact@isp-system.fr

www.isp-system.fr

Capital de 1 000 000 € - SIRET : 410 675 078 00027 – APE : 71128 – TVA : FR 19 410 675 078