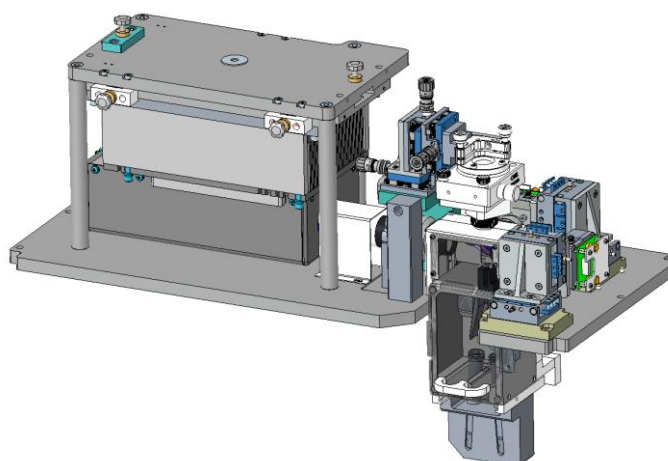
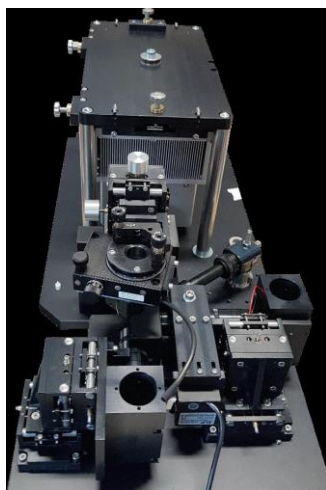


MAJ : 24/02/2021



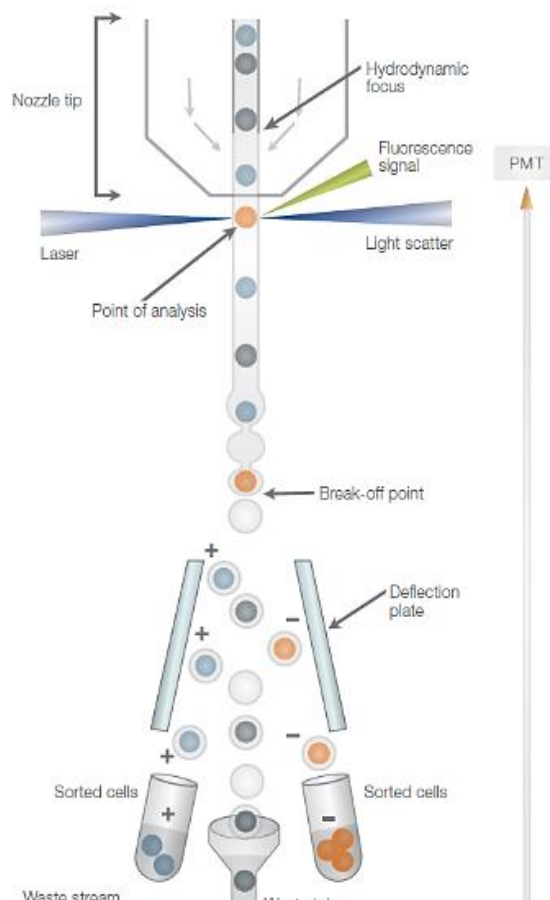
Non contractual photo

1 – APPLICATION

- Cytometry laser module
- DNA characterization in reproduction cells

2 - Description

- UV laser source with 5 adjustment DDL
- Laser source shutter
- Expansion and collimation of incident beam
- Collection of side beam
- Collection of front beam
- PMT sensors for side and front beam
- High resolution camera for visualization
- XYZ fine translation for fluid alignment
- XYZ fine translation for front beam alignment
- XYZ fine translation for side beam alignment
- +/-3,5mm, 10µm coarse and 2µm fine adjustments
-



ISP SYSTEM
Z.I. de la Herray
65500 VIC-EN-BIGORRE – France

+33 (0)5 62 33 44 44
contact@isp-system.fr

www.isp-system.fr

Capital de 1 000 000 € - SIRET : 410 675 078 00027 – APE : 71128 – TVA : FR 19 410 675 078