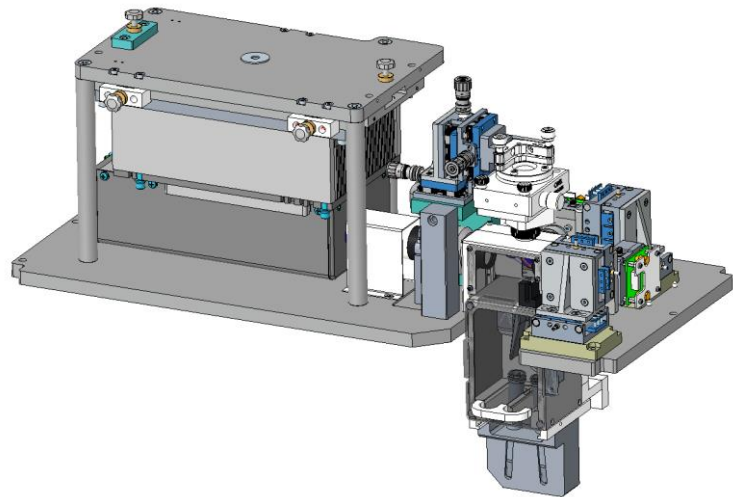
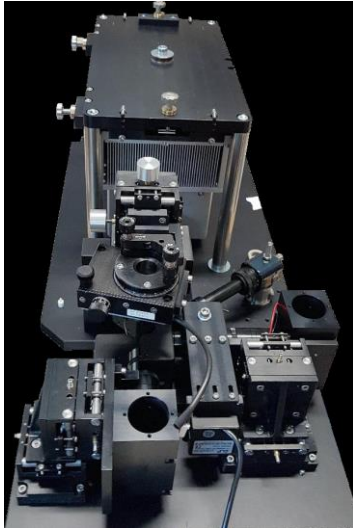


MAJ : 24/02/2021



Non contractual photo

## 1 – APPLICATION

- Cytometry laser module
- DNA characterization in reproduction cells

## 2 - Description

- UV laser source with 5 adjustment DDL
- Laser source shutter
- Expansion and collimation of incident beam
- Collection of side beam
- Collection of front beam
- PMT sensors for side and front beam
- High resolution camera for visualization
- XYZ fine translation for fluid alignment
- XYZ fine translation for front beam alignment
- XYZ fine translation for side beam alignment
- +/-3,5mm, 10µm coarse and 2µm fine adjustments

