

Update : 08/24/2017



Non-contractual photos

OPPOSED RODS ACTUATOR

1 - Application

This embedded actuator is adapted to application where a translation is needed in both sides along an axis.

The market targeted is tramway. It complies with train standard NF EN 50125-1.

2 - Description

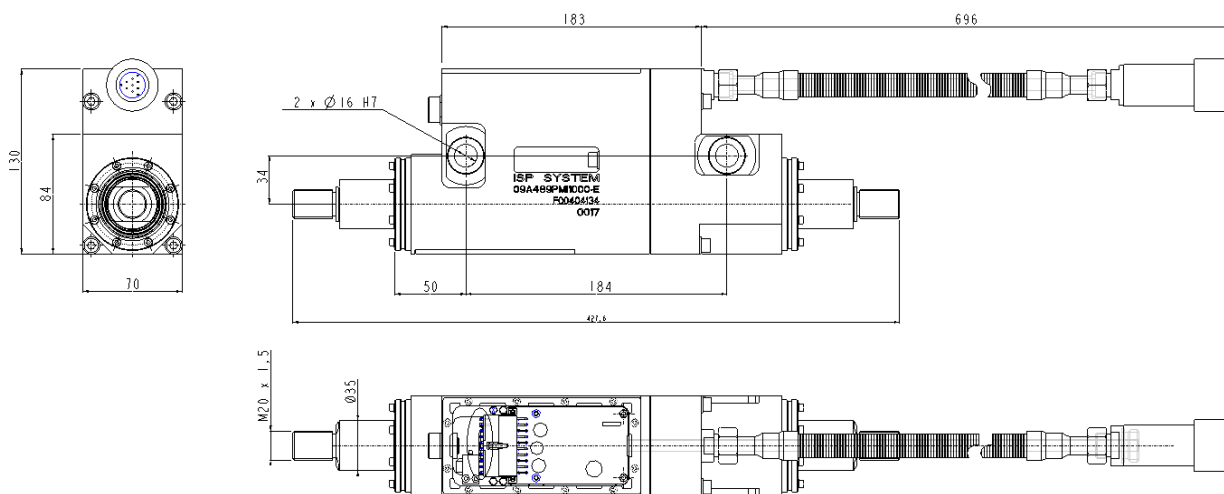
- DC motor
- Screw with bronze nut
- Double rods (symmetrical movement)
- Push actuator
- Integrated electronic board
- Protected with paint and coating for harsh environment
- Temperature range -25°C, +50°C

All our products can be customized to match your exact requirements

3 - Technical Data

CHARACTERISTICS	SPECIFICATIONS
Travel:	35 mm (each side)
Force:	5000N on each rods
Size:	351 x 70 x 130 mm ³
Weight:	10kg
Material:	Aluminum
Electrical specification:	16 to 33 VDC, Less than 3A nominal starting current
Electronic:	Integrated board, Servo
Ingress protection:	IP66, protected from total dust ingress, protected against powerful water jets

4 - Dimensions (mm) for 35mm-travel actuator



Note: Other information's or drawings on demand

ISP SYSTEM
Z.I. de la Herray – B.P. 10047
65501 VIC-EN-BIGORRE - France

+33 (0)5 62 33 44 44
+33 (0)5 62 33 44 45

contact@isp-system.fr
www.isp-system.fr

Capital de 1 000 000 € - SIRET : 410 675 078 00027 – APE : 7112B – TVA : FR 19 410 675 078