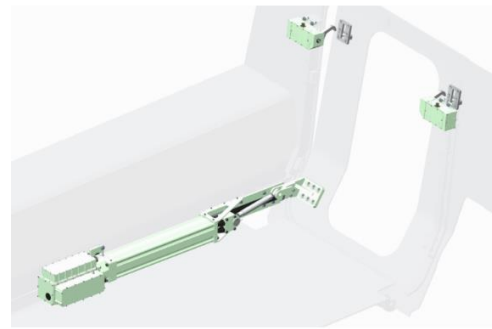


Update : 08/30/2017



Motorization rear ramp armored vehicle

1 - Application

These two actuators are adapted to irreversible application where heavy/armored doors are required to be opened or closed.

The market targeted is defense

2 - Description

Self-balanced heavy duty actuator

- DC motor
- Emergency shaft
- Encoder
- Electromagnetic brake
- Ball screw
- Integrated electronic board
- Electrical connector MIL-D38999
- Protected with paint and coating for harsh environment
- Temperature range -32°C, +50°C
- Certified to MIL-STD-810

Locking armored door actuator

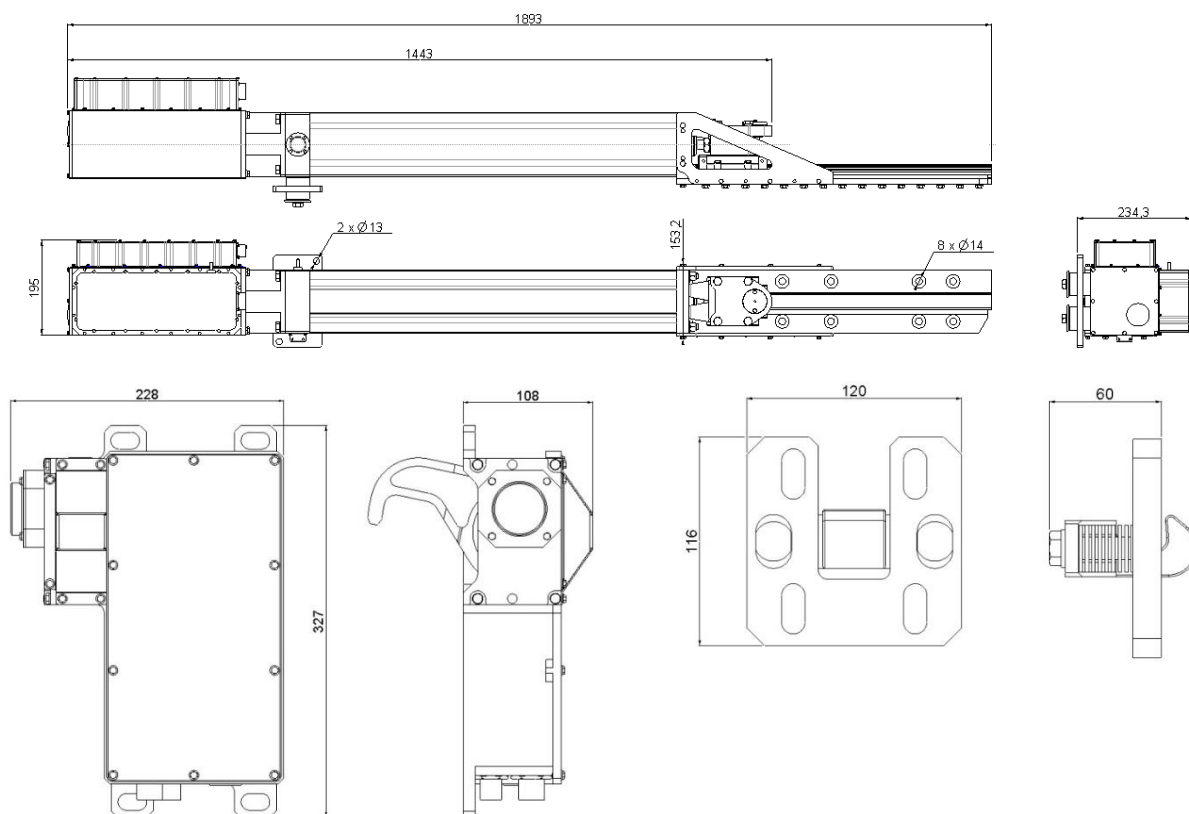
- Stepper motor
- Locking hook
- Integrated electronic board
- Protected with paint and coating for harsh environment
- Temperature range -32°C, +60°C
- Certified to MIL-STD-810

All our products can be customized to match your exact requirements

3 - Technical Data

CHARACTERISTICS	SPECIFICATIONS	
Travel:	600mm	20mm
Max velocity :	100 mm/s	3 s
Force:	10 000 N	Locking: 500 daN Holding : 500 daN
Size:	2435 x 230 x 200 mm ³	280 x 220 x 85 mm ³
Weight:	80kg	7kg
Material :	Aluminum	Aluminum, Stainless Steel
Electrical specification:	28 VDC, 10A current	24V, < 20A
Electronic:	Integrated board, Servo	Integrated board
Ingress protection:	<ul style="list-style-type: none"> • IP65 • Protected from total dust ingress • Protected from low pressure water jets from any direction 	<ul style="list-style-type: none"> • IP65-9k • Protected from total dust ingress • Protected from low pressure water jets from any direction

4 - Dimensions (mm) for 20 to 600mm-travel actuator



Note: Other information's or drawings on demand

ISP SYSTEM
 Z.I. de la Herray – B.P. 10047
 65501 VIC-EN-BIGORRE - France

+33 (0)5 62 33 44 44
+33 (0)5 62 33 44 45

contact@isp-system.fr
www.isp-system.fr

Capital de 1 000 000 € - SIRET : 410 675 078 00027 – APE : 7112B – TVA : FR 19 410 675 078