

Update : 15/09/2017



Micro-positioning space actuator

1 - Application

This actuator is adapted to application where micrometric displacement is required with a very high accuracy in harsh environment.

The markets targeted are aeronautics and space

2 - Description

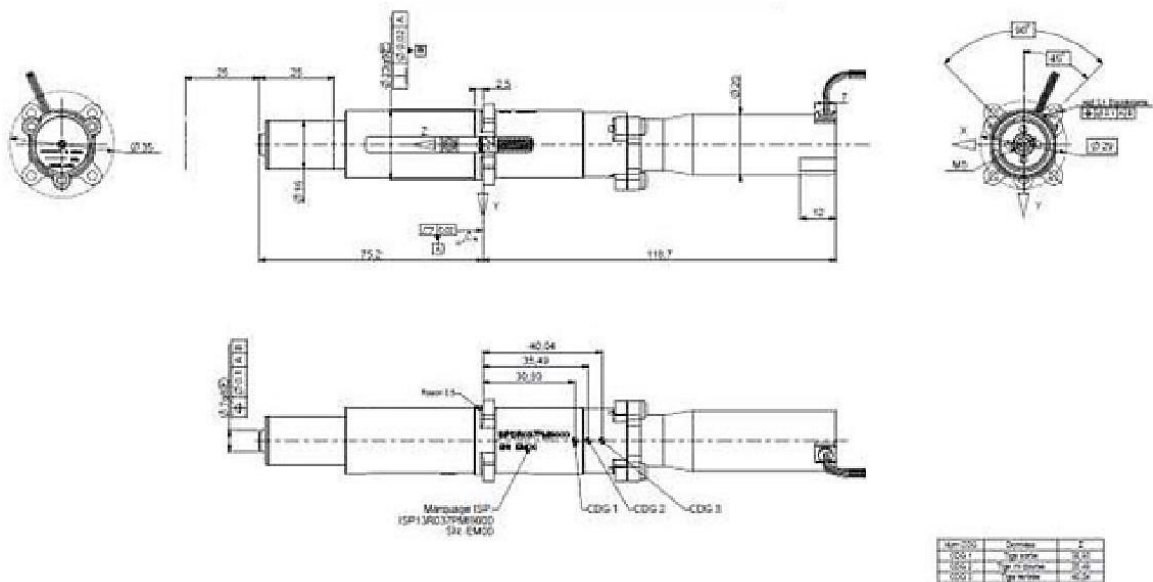
- Stepper motor
- Anti rotation system of the rod
- Leading screw
- Planetary gearbox
- Protected with paint and coating for harsh environment
- Temperature range -60°C, +80°C

All our products can be customized to match your exact requirements

3 - Technical Data

| CHARACTERISTIC | SPECIFICATIONS |
|--------------------------|--|
| Travel | 50 mm |
| Max velocity | 500 µm/s |
| Force | +/- 30 N |
| Size | 2435 x 230 x 200 mm ³ |
| Weight | < 250g |
| Material | Aluminum |
| Electrical specification | 24 V, 450 mA |
| Ingress protection | IP65, protected from total dust ingress, protected from low pressure water jets from any direction |

4 - Dimensions (mm) for 50mm-travel actuator



Note Other information's or drawings on demand

ISP SYSTEM
 Z.I. de la Herry
 65500 VIC-EN-BIGORRE – France

+33 (0)5 62 33 44 44
 contact@isp-system.fr

www.isp-system.fr

Capital de 1 000 000 € - SIRET : 410 675 078 00027 – APE : 71128 – TVA : FR 19 410 675 078