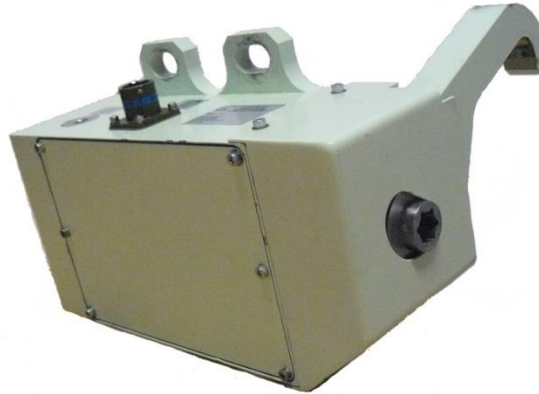


Update : 4/12/2013



*Non-contractual photo*

### Integrated locking clamping electrical actuator

## 1 - Application

This actuator is adapted to irreversible application where heavy armored doors have to be locked.

The market targeted is defense.

## 2 - Description

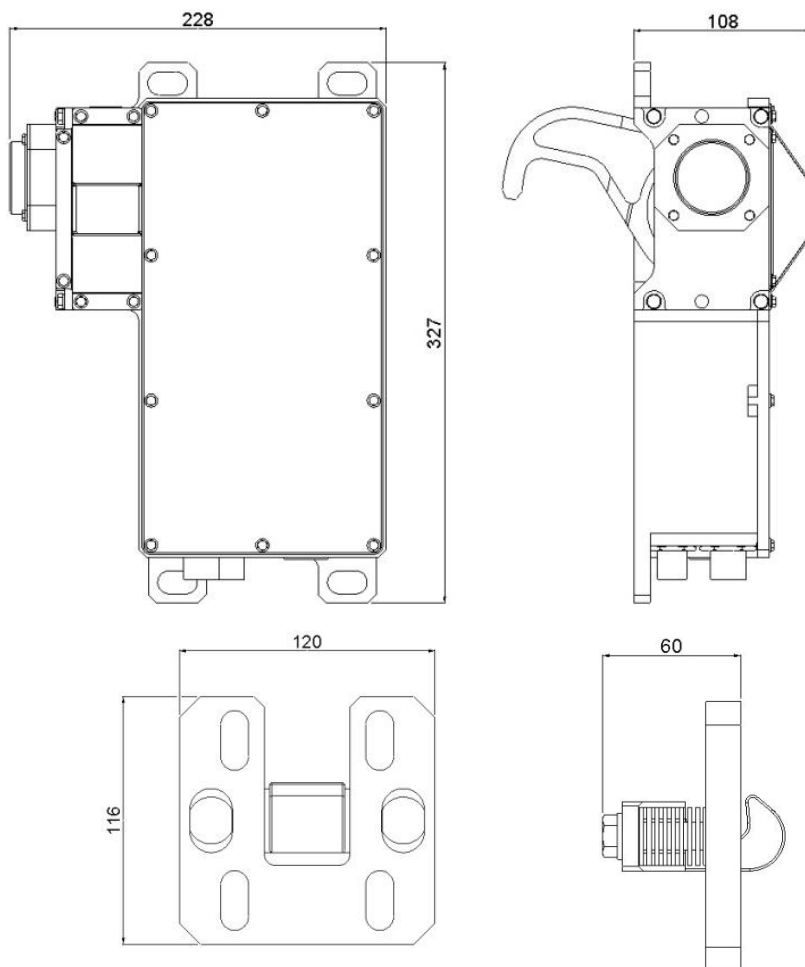
- Stepper motor
- Locking hook
- Integrated electronic board
- Protected with paint and coating for harsh environment
- Temperature range -32°C, +60°C
- Certified to MIL-STD-810

**All our products can be customized to match your exact requirements**

### 3 - Technical Data

CHARACTERISTICS	SPECIFICATIONS	
Travel	20 mm	
Cycle time	3 s	
Force	Locking: 500 daN	Holding: 700 daN
Size	280 x 220 x 85 mm <sup>mm</sup>	
Weight	7 kg	
Material	Aluminum, Stainless Steel	
Electrical specification	24 V, < 20 A	
Electronic	Integrated board	
Ingress protection	IP65-9k, protected from total dust ingress, protected from low pressure water jets from any direction	

### 4 - Dimensions (mm) for 300mm-travel actuator



**ISP SYSTEM**  
 Z.I. de la Herray – B.P. 10047  
 65501 VIC-EN-BIGORRE - France

+33 (0)5 62 33 44 44  
 +33 (0)5 62 33 44 45

contact@isp-system.fr  
 www.isp-system.fr

Capital de 1 000 000 € - SIRET : 410 675 078 00027 – APE : 7112B – TVA : FR 19 410 675 078