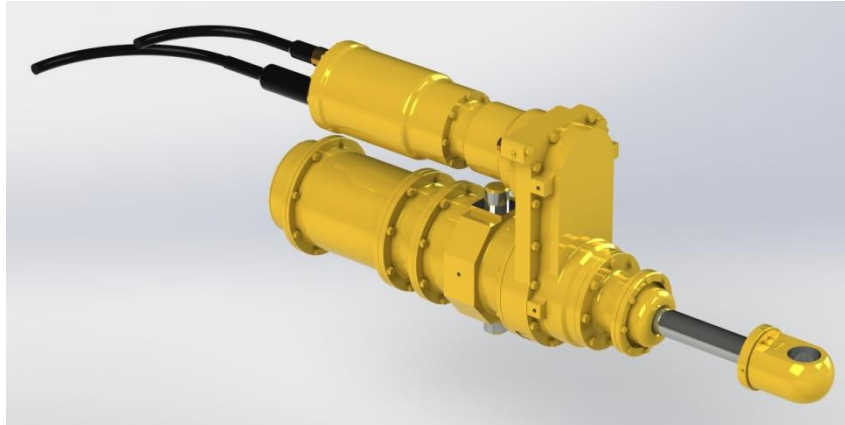


Update : 08/25/2017



*Non-contractual photo*

### Immersed heavy duty linear actuator

## 1 - Application

This actuator is adapted to application for off-shore platforms, trap-doors on ship, locks on boat.

The market targeted is Naval and Defense.

## 2 - Description

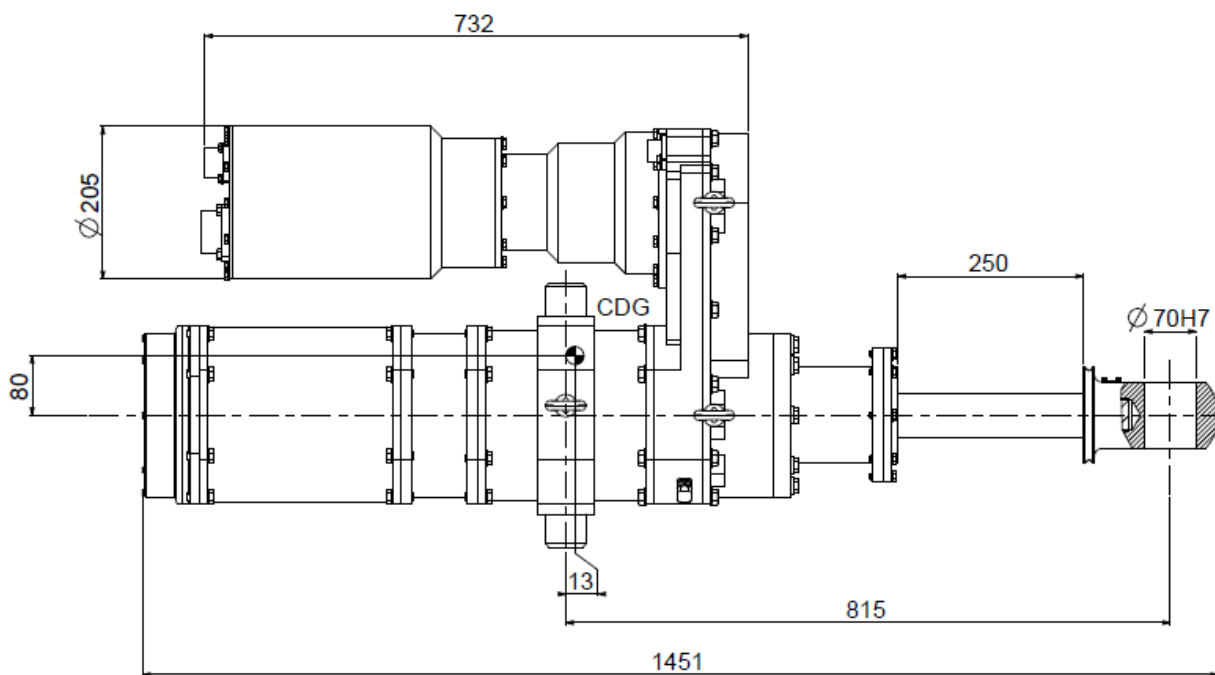
- Frameless DC motor
- Roll screw
- Push-pull actuator
- Electrical connector MIL-D38999
- Protected with paint and coating for harsh environment
- Resist to 50 bar pressure
- Certified to MIL-STD-810

**All our products can be customized to match your exact requirements**

### 3 - Technical Data

| CHARACTERISTICS           | SPECIFICATIONS                            |
|---------------------------|---|
| Travel:                   | 200 mm                                    |
| Max velocity:             | 30 mm/s                                   |
| Force:                    | 200 kN                                    |
| Size:                     | 1500 x 600 x 300 mm"                      |
| Weight:                   | 350 kg                                    |
| Material:                 | Stainless steel with high characteristics |
| Electrical specification: | BLDC 400V 50Hz Three-Phase                |
| Electronic:               | TOR                                       |
| Immersion protection:     | Down to 500m depth, IP69                  |

### 4 - Dimensions (mm) for 250mm-travel actuator



*Note: Other information's or drawings on demand*