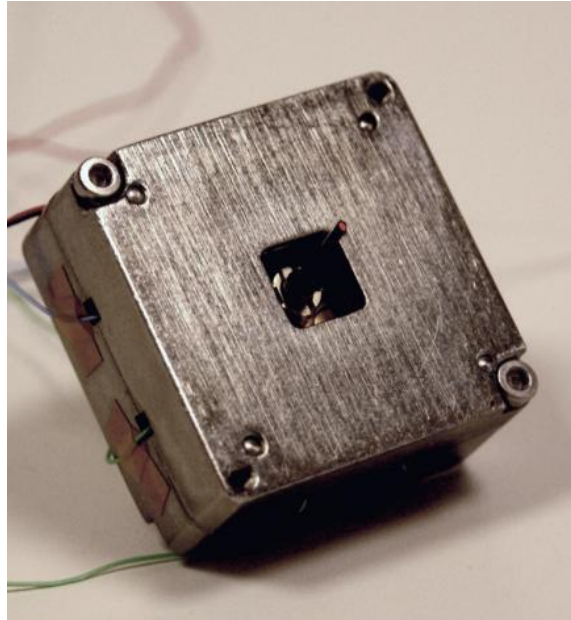


Update : 09/14/2017



*High frequency Axis XY electromagnetic actuator*

## 1 - Application

This actuator is adapted to application where light load is required to be moved with high precision such as optical fiber for instance.

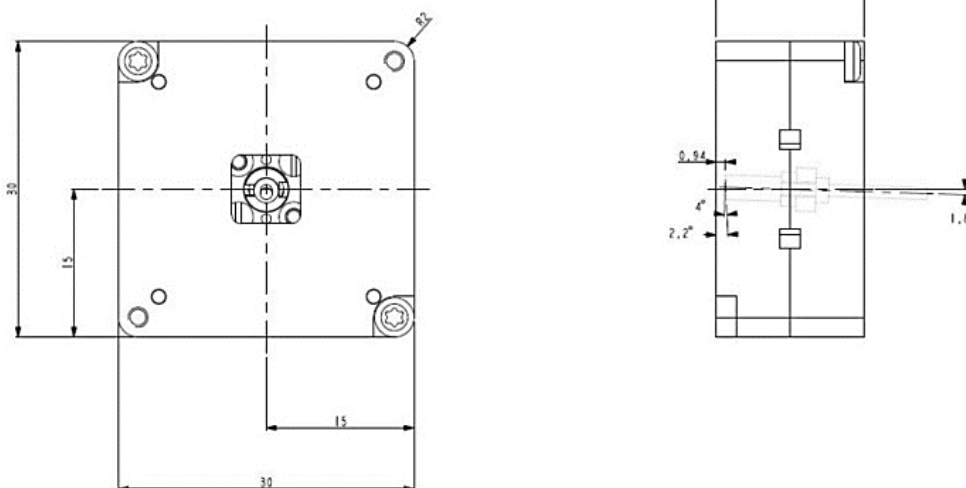
The markets targeted are defense and civil

**All our products can be customized to match your exact requirements**

## 2 - Technical Data

CHARACTERISTIC	SPECIFICATIONS
Travel	1000 $\mu\text{m}^2$
Precision	+/- 10 $\mu\text{m}$
Current per axis	$\pm 500\text{mA}$
Size	30 x 30 x 15 $\text{mm}^3$
Weight	80 g
Temperature range	-10°C to 50°C

## 3 - Dimensions (mm) for 100mm-travel actuator



**Note** Other information's or drawings on demand

ISP SYSTEM  
 Z.I. de la Herray  
 65500 VIC-EN-BIGORRE – France

+33 (0)5 62 33 44 44  
 contact@isp-system.fr

www.isp-system.fr

Capital de 1 000 000 € - SIRET : 410 675 078 00027 – APE : 71128 – TVA : FR 19 410 675 078