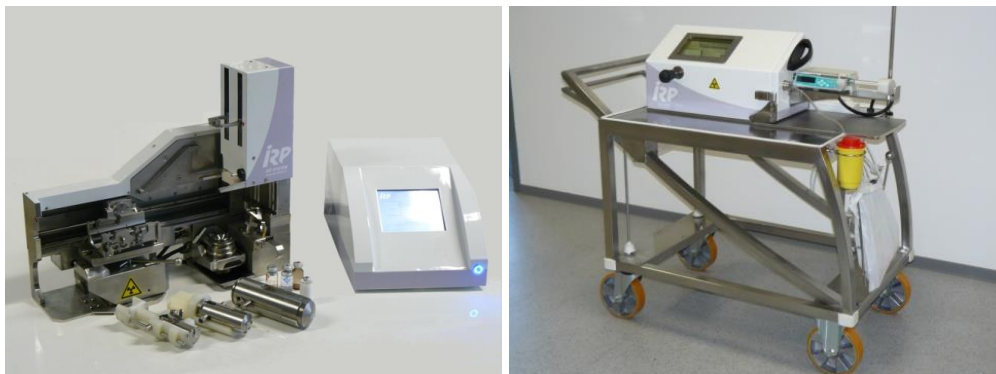


Update : 03/12/2014



Non contractual photos

1 - Conception

- This station reduces the exposure of medical staff to ionizing radiations for imaging application by PET (Positron Emission Tomography) and internal targeted radiotherapy.
- It makes possible to increase the prepared dose for a better therapeutic efficiency, also to improve the control of pipetting protocol (support from the control software of pipetting robot)

The radio protected equipment operates on the 3 steps of the treatment

- during patient's dose preparation
- during dose transport to his room or injection chamber
- during injection into the patient
- Thanks to its design, it can be adapted to various form of radiopharmaceutical conditioning
- Its radio-protection properties cover a wide emission spectrum

The device has many advantages

- Integration in most commercial shielded enclosure (glove box) such as MEDISYSTEM...

2 - Applications

- During treatment operations in radioactive environments

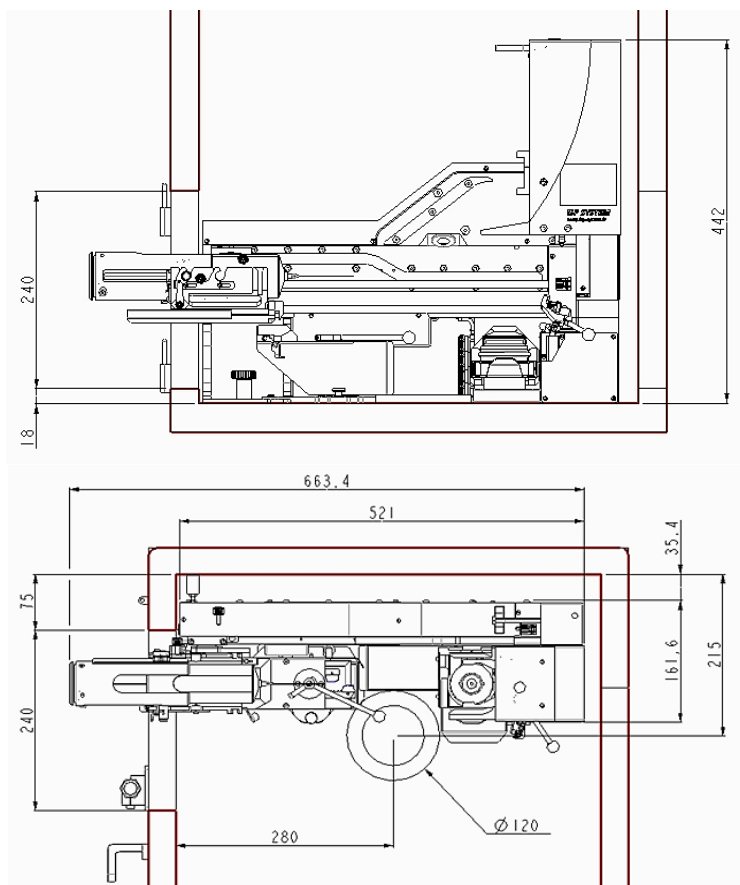
Pipetting device The main function is to collect or inject semi automatically and accurately a product (for dosing formulation). It can be installed inside the shielded enclosure.

Injection trolley Dedicated to transfer and injection of radiopharmaceutical preparation.

3 - Technical data

Reduction of the radiation exposure	50 to 90%	Ergonomic Software	Touch screen 6.2 inches with interactivity
Use of syringe	1ml, 10ml, 50ml with luer lock tip		5 preset cycles:
Shielded sleeve	Automatic locking system Attenuation : 500KeV		<ul style="list-style-type: none"> • Collect(FDG) • Dose adjustment • MIBG (2 flasks) • ZEVALIN • Octreoscan
Bottles	2.5ml and 15ml (10ml optional)	Trolley	<ul style="list-style-type: none"> • Shielded Enclosure: 20mm of lead • Integrated pump syringes • 2 pivoting rear wheels with unlockable break by handle • Various integrated support (bin, measuring tool, flask, drip)

4 – Dimensions



ISP SYSTEM
Z.I. de la Herry
65500 VIC-EN-BIGORRE – France

+33 (0)5 62 33 44 44
contact@isp-system.fr

www.isp-system.fr

Capital de 1 000 000 € - SIRET : 410 675 078 00027 – APE : 71128 – TVA : FR 19 410 675 078