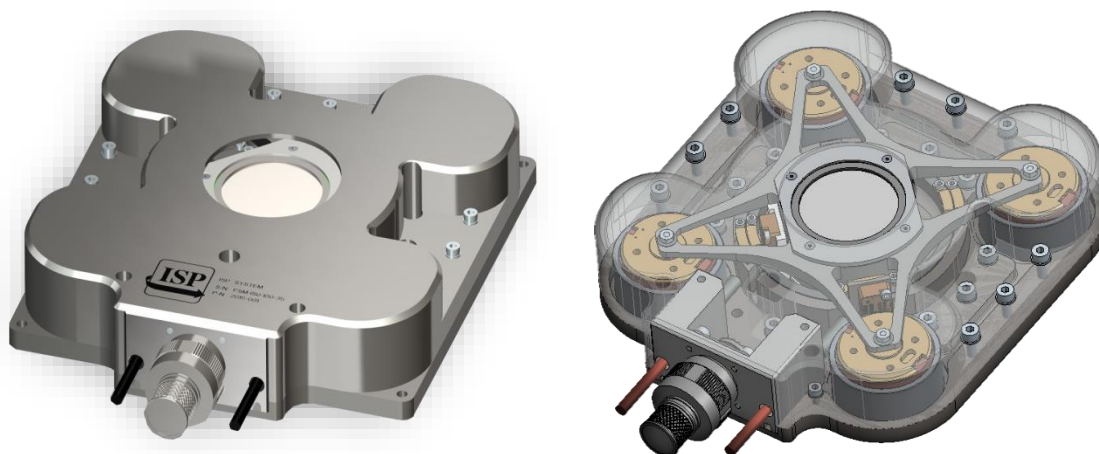




IMAGE STABILIZATION UNIT FOR LARGE INSTRUMENT

DATASHEET ISP14A757FPI0035-A7

Update : 07/02/2022



1 - Application

Opto-mechanical device dedicated to the rapid control of a lens or mirror inclination along two axis ("tip-tilt") with a closed loop control of the angular position for optimal accuracy.

- For each axis, two linear motors ensure the rotation.
- Power dissipation of 4W for a 100g payload.
- The angular position is controlled with a resolution of 20 μ rad up to 100Hz.
- The 16 bits ECU is provided in a 19" rack.

2 - Characteristics

CHARACTERISTIC	SPECIFICATIONS
Maximum angular stroke :	± 30 rad
Maximum angular velocity :	1.3rad/s
Maximum angular acceleration :	711rad/s ²
Response time at 90% :	< 5ms
Angular resolution :	10 μ rad
Masse :	2,1 kg
Dimensions (without cables) :	182 x 168 x 24 mm
Working temperature :	-10°C – 60°C

 **ISP SYSTEM**
Z.I. de la Herray – B.P. 10047
65501 VIC-EN-BIGORRE - France

 +33 (0)5 62 33 44 44

 contact@isp-system.fr

 +33 (0)5 62 33 44 45

 www.isp-system.fr