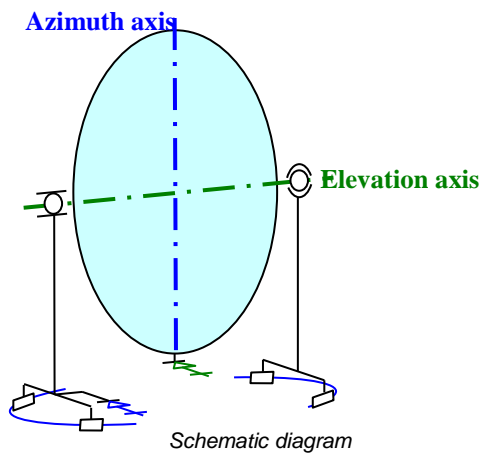


**This motorized mount for tip-tilt is driven by two linear stages. It can finely orient large optics, up to Ø 1 500 mm diameter.**

The motorized mount allows the adjustment of tip-tilt (azimuth and elevation) for optics. The mount is fixed on a barrel through 3 points. Azimuth and elevation Axes intersect themselves at the center of the mirror surface. Elevation Axis is always located on the surface of the mirror.



Tip-tilt mount characteristics	Value
Gimbal mount mass :	650 Kg
Maximum optic mass :	Up to 550 kg
Locking device for transport :	Yes
Removable casters :	Yes
High vacuum compatibility :	Yes*



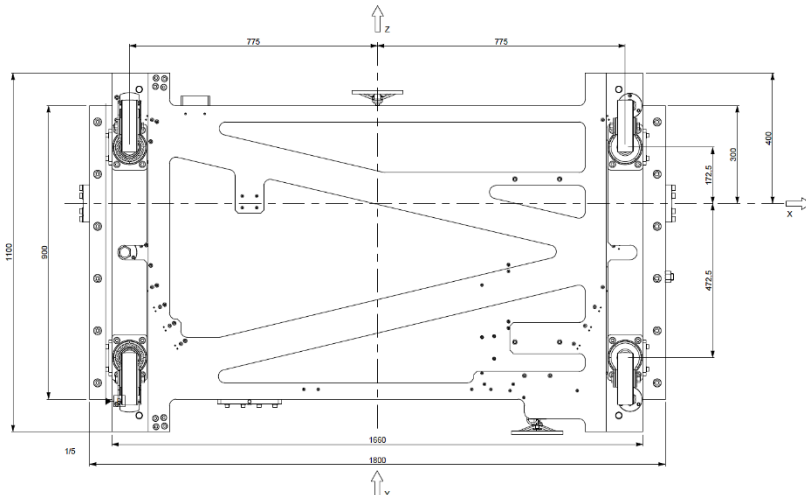
Actuators characteristics	Value
Power supply voltage :	24V - 42V - 70V
Power supply current :	2 A / phase
Resistance :	0,8 Ω/phase
Inductance :	2,4 mH/ Phase
Frequency :	1000 Hz max
Number of steps :	500 steps per turn
Gear ratio :	41.6:1
Load capacity (axial) :	1 500 N

Positioner characteristics	Value
Optic frame diameter	Up to Ø 1 500mm
Optic width	Up to 300 mm
Azimuth and elevation resolution	10 µrad
Azimuth and elevation total stroke	± 5°

\*Motors cannot operate under vacuum (thermal reasons).

## Dimension (mm)

Example with  $\varnothing$  1 400 mm



### Accessories :

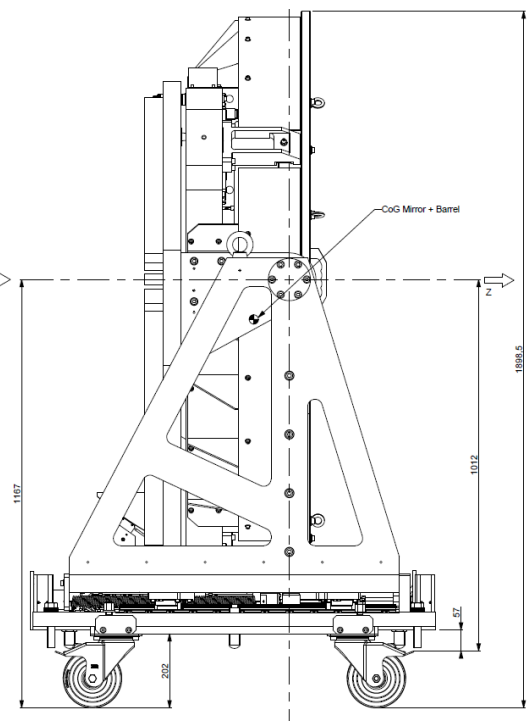
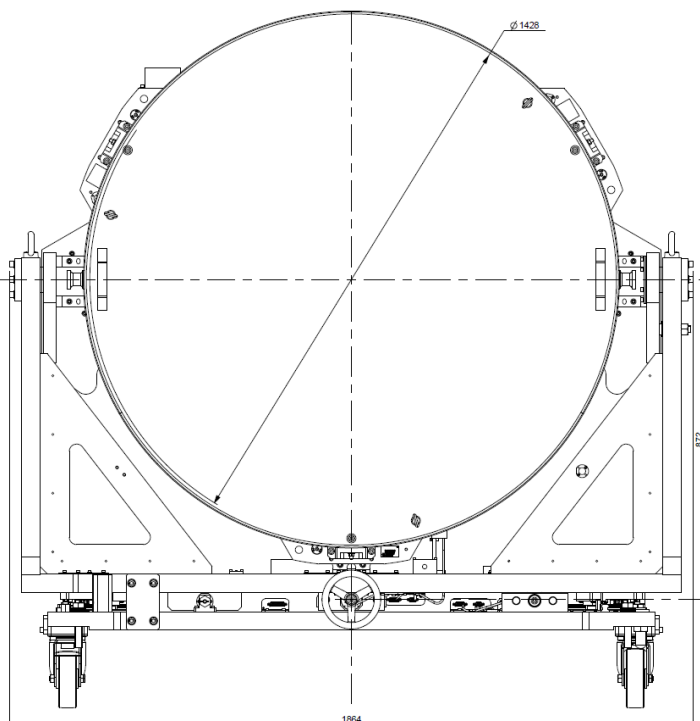
- Removable casters (two with brakes).
- Hand wheels for axis rotation, out of power configuration.
- Axis locking flanges.

### Option:

Compatibility with high vacuum (motors operating under vacuum).

### Applications:

Accurate and stable positioning of optics (collimator, metrology, optical bench,).



Mirror on barrel (as shown on figures) are out of delivery.