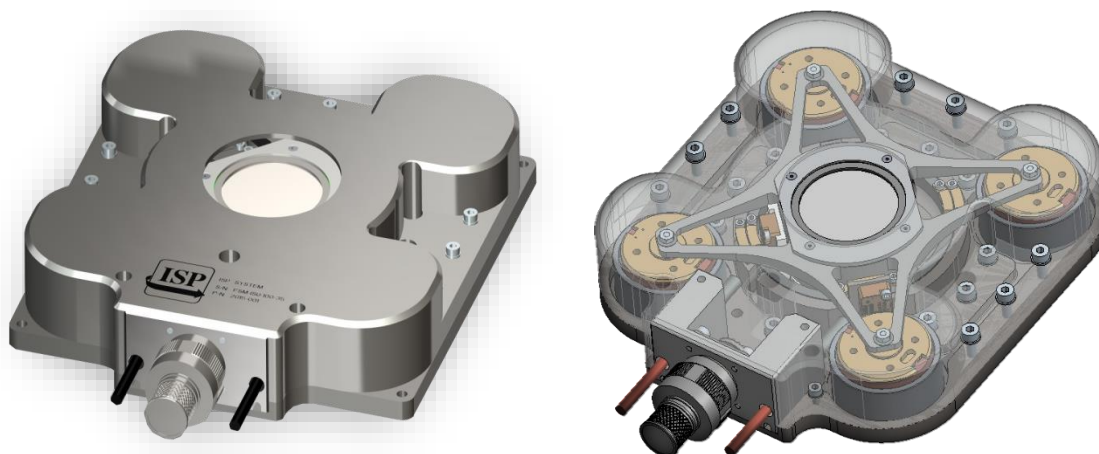


Update : 25/01/2016



## 1 - Application

**Opto-mechanical device dedicated to the rapid control of the inclination of a 2 axis mirror ("tip-tilt") with a closed loop control of the angular position for an optimal accuracy.**

- For each axis, two linear motors ensure the rotation.
- Power dissipation of 4W for a load of 100g
- The angular position is controlled with a resolution of 20  $\mu$ rad up to 100Hz  
The 16 bits ECU is provided in a 19" rack

## 2 - Characteristics

CHARACTERISTIC	SPECIFICATIONS
Maximum angular stroke :	$\pm 25$ mrad
Maximum angular acceleration :	9800 rad/s <sup>2</sup>
Response time at 90% :	< 5ms
Angular resolution :	20 $\mu$ rad
Masse :	2,1 kg
Dimensions (without cables) :	182 x 168 x 24 mm
Working temperature :	10°C up to 60°C