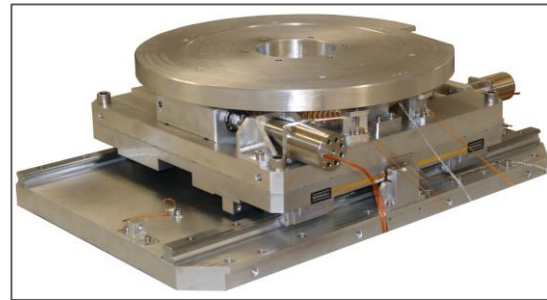


μTRMA 340-1-1500



Rθ configuration

High stiffness and high load rotation

1 - Application

The TRMA is a precise very stiff rotary stage for high load application.

It's suitable for optics, sensors or laser alignment applications in vacuum or cleanroom environment.

2 - Description

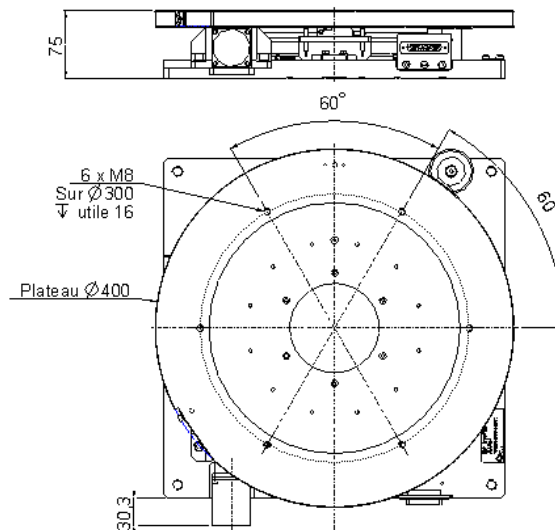
- Hybrid stepper motor
- Irreversible reduction system such as wheel and worm
- Position maintained when energy off
- Limits and origin switches
- Optical incremental encoder
- HV or UHV application

*All our products can be **customized** to match your exact requirements*

3 - Technical Data

CHARACTERISTIC	SPECIFICATIONS
Travel :	$\pm 170^\circ$
Theoretical resolution :	1 μrad / step
Accuracy :	35 μrad over 5°
Wobble :	$\pm 20 \mu\text{rad}$
Max velocity :	0,2°/s
Load capacity :	250kg
Mass :	18 kg
Size :	400x400X75
Material :	Stainless steel
Electrical specification :	24V/48V
Electronic controller :	standard
Variant and option :	<ul style="list-style-type: none"> • High or ultra-high vacuum preparation • Cleanliness Iso-6 • Fixation interface

4 - Dimension (mm)



Note: Other information's or drawings on demand

ISP SYSTEM
Z.I. de la Herray
65500 VIC-EN-BIGORRE – France

+33 (0)5 62 33 44 44
contact@isp-system.fr

www.isp-system.fr

Capital de 1 000 000 € - SIRET : 410 675 078 00027 – APE : 71128 – TVA : FR 19 410 675 078