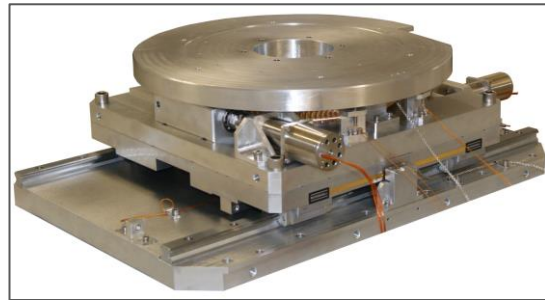


μTRMA 340-1-1500



Rθ configuration

**High stiffness and high load rotation**

## 1 - Application

The TRMA is a precise very stiff rotary stage for high load application.

It's suitable for optics, sensors or laser alignment applications in vacuum or cleanroom environment.

## 2 - Description

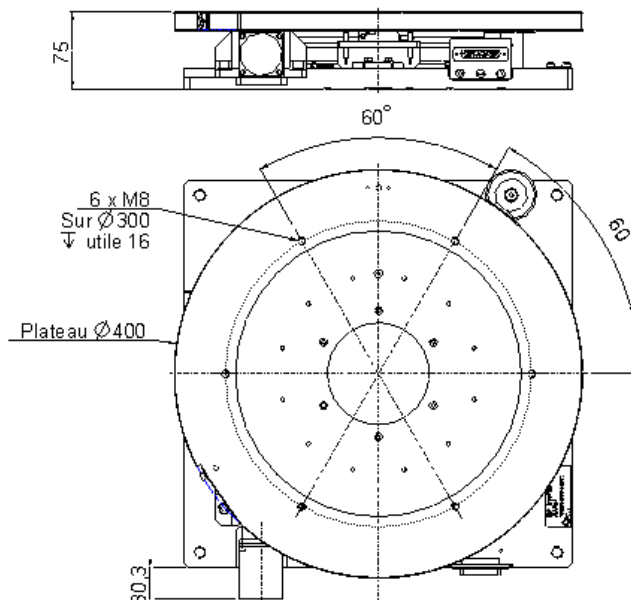
- Hybrid stepper motor
- Irreversible reduction system such as wheel and worm
- Position maintained when energy off
- Limits and origin switches
- Optical incremental encoder
- HV or UHV application

*All our products can be **customized** to match your exact requirements*

## 3 - Technical Data

CHARACTERISTIC	SPECIFICATIONS
Travel :	$\pm 170^\circ$
Theoretical resolution :	1 $\mu$ rad / step
Accuracy :	35 $\mu$ rad over $5^\circ$
Wobble :	$\pm 20 \mu$ rad
Max velocity :	0,2°/s
Load capacity :	250kg
Mass :	18 kg
Size :	400x400X75
Material :	Stainless steel
Electrical specification :	24V/48V
Electronic controller :	standard
Variant and option :	<ul style="list-style-type: none"> <li>• High or ultra-high vacuum preparation</li> <li>• Cleanliness Iso-6</li> <li>• Fixation interface</li> </ul>

## 4 - Dimension (mm)



*Note: Other information's or drawings on demand*