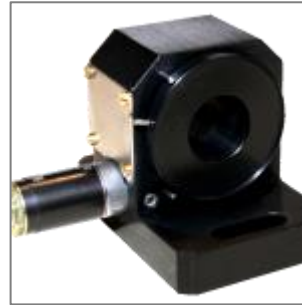


$\mu$ TRMA 360-1570-10



$\mu$ TRM 360-5-10

## High precision rotation in a small packaging

### 1 - Application

These compact rotations provide high precision irreversible motion, suitable for applications which require high mechanical stability.

### 2 - Description

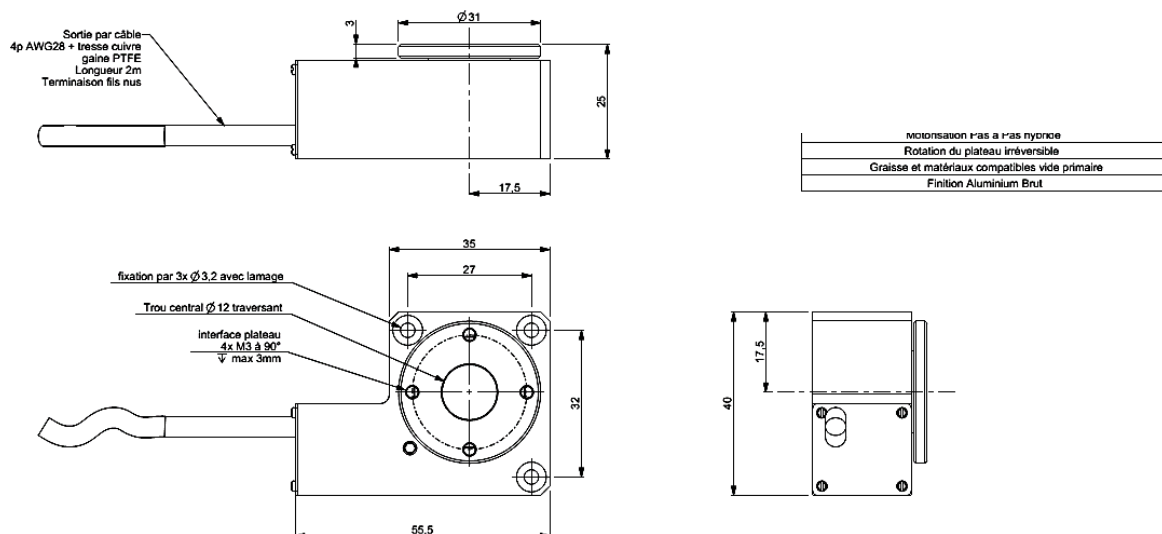
- Small size
- Hybrid stepper motor
- Irreversible reduction system such as wheel and worm
- Position maintained when energy off
- Limits and origin switches
- Optical incremental encoder

*All our products can be **customized** to match your exact requirements*

## 3 – Technical Data

CHARACTERISTIC	SPECIFICATIONS	
Travel	Unlimited	Unlimited
Aperture	$\Phi$ 12mm	$\Phi$ 12mm
Theoretical resolution	1570 $\mu$ rad / step	5 $\mu$ rad / step
Max velocity	15 RPM	3 RPM
Load capacity	1 kg	1 kg
Mass	500g	500g
Size	56x40x25	
Material	Aluminum	Aluminum
Electrical specification	12V	12V
Electronic controller	standard	standard
Variant and option	High or ultra-high vacuum preparation Fixation interface	

## 4 – Dimensions



Note: All our products can be customized to match your exact requirements