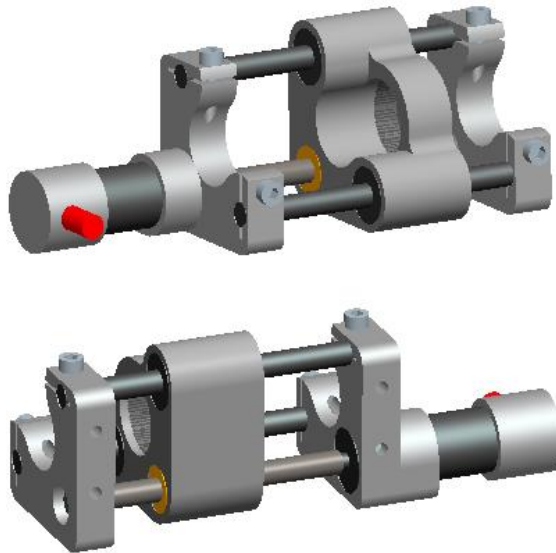


Update : 08/11/2016



*Non-contractual photos*

## OEM positioning stage for integration into an optomechanical device

### 1 - Product description

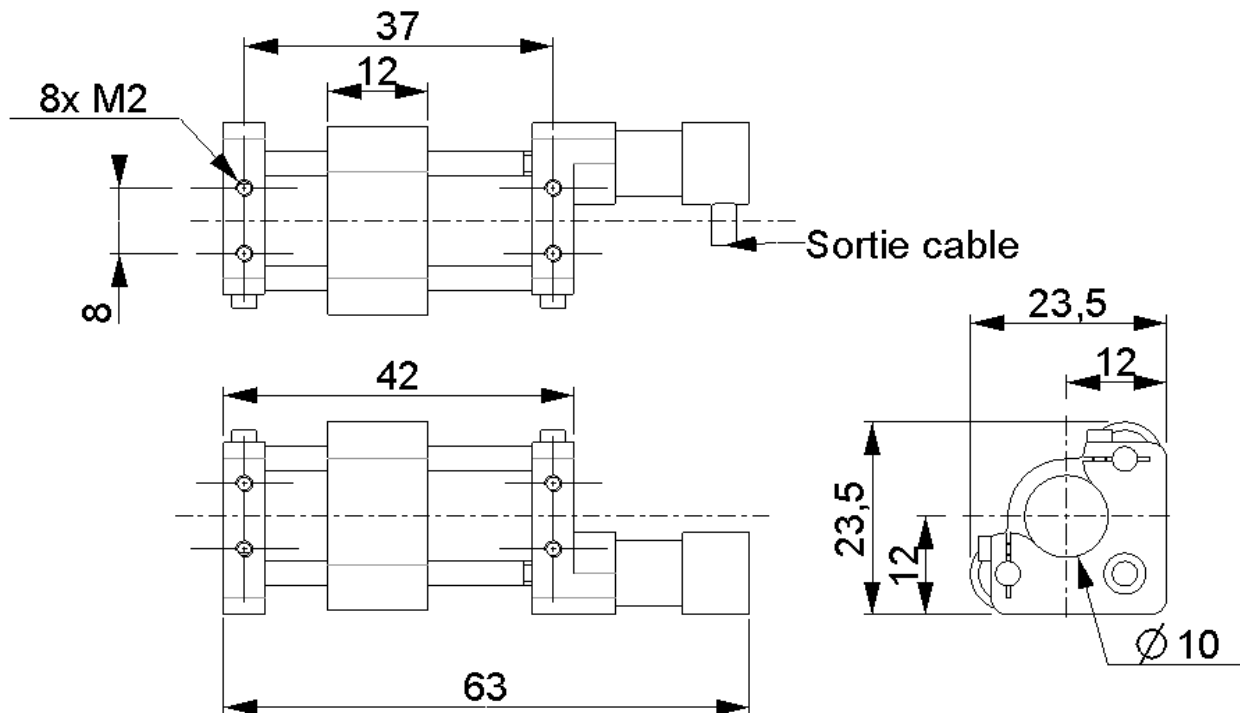
#### Mechanical performances

- Stroke : 20 mm
- Translation speed : 10mm/s
- Motor resolution : 6.25  $\mu\text{m}/\text{step}$
- Size of the optics :  $\text{\O}10\text{mm}$
- Minimum dimension

#### Technical data

- Irreversible movement without axial clearance
- Translation guiding by linear bearing
- Open loop stepper motor
- Mass : 45g without cables
- mounting possibility XY or XYZ
- Working temperature :  $-40^{\circ}\text{C}$  to  $+70^{\circ}\text{C}$
- OEM actuator
- Optional external control electronics
- Possible modification of stroke, speed, resolution

**2 - Dimension : (plan)**



**ISP SYSTEM**  
Z.I. de la Herray – B.P. 10047  
65501 VIC-EN-BIGORRE - France

**+33 (0)5 62 33 44 44**  
**+33 (0)5 62 33 44 45**

**contact@isp-system.fr**  
**www.isp-system.fr**

Capital de 1 000 000 € - SIRET : 410 675 078 00027 – APE : 7112B – TVA : FR 19 410 675 078