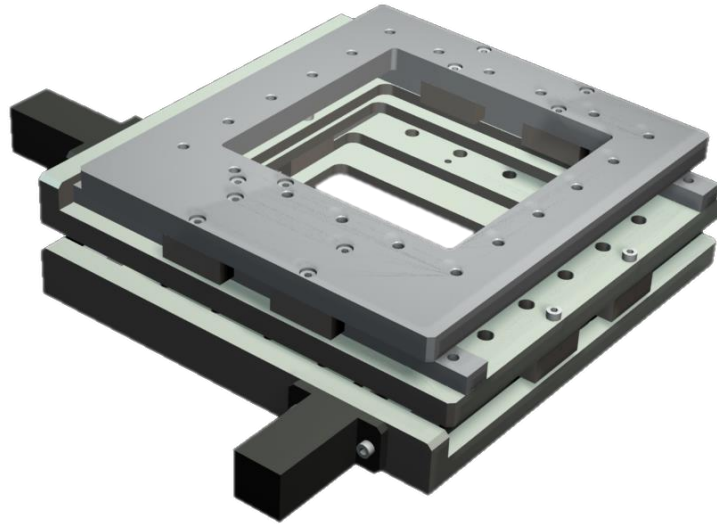




DATASHEET  
ISP 17D131FPI0001-A  
UPDATE: 2017/12/05

**μTMP XY 100-5000**  
100x100mm travel

Page 1/2



## TWO AXIS DRIVER BOARD MICRO-POSITIONING STAGE

### Application

This stage is suitable for application in labs for optic positioning or sample scanning for instance.

This stage enables a two axis accurate motion. Off, the motions are self-locking.

### Description

- Hybrid Stepper motors
- Irreversible motion
- XY motion 100x100mm
- Hollow tray 30x30 mm
- Positioning/scanning applications
- Associated with two axis stepper motor controller SD2124

*All our products can be **customized** to match your exact requirements*

ISP SYSTEM • SA au capital 1 000 000 € • ZI de la Herray - B.P. 10047 • 65501 Vic-en-Bigorre • FRANCE  
Tél : 05 62 33 44 44 • Fax : 05 62 33 44 45 • e-mail : [contact@isp-system.fr](mailto:contact@isp-system.fr) • <http://www.isp-system.fr>  
RCS Tarbes B 410 675 078 • SIRET 410 675 078 00027 • APE 7112B

This document belongs to ISP SYSTEM, it cannot be used, copied or communicated without a prior written agreement.  
The mentioned information, herein, are subject to change. Thanks to consult ISP SYSTEM

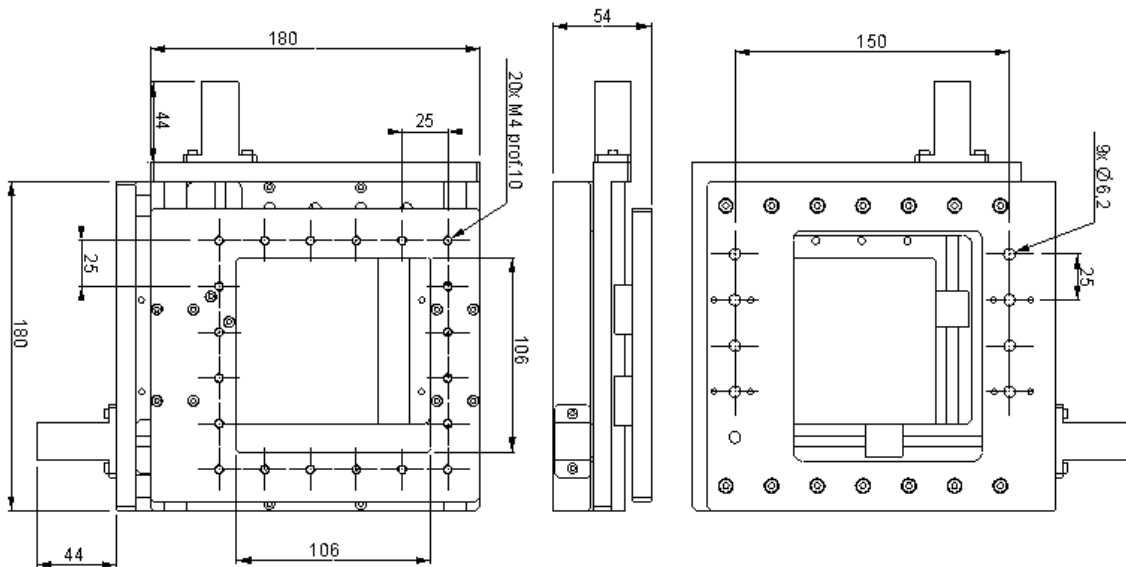


DATASHEET  
 ISP 17D131FPI0001-A  
 UPDATE: 2017/12/05

**μTMP XY 100-5000**  
 100x100mm travel

**Technical Data**

Characteristic	Specifications
Travel	100x100 mm
Resolution	5 μm/step
Max velocity	10 mm/s
Payload (horizontal)	50 N
Size (approx)	235x235x55 mm
Weight	3 kg
Material	Aluminum
Electrical specification	24 VDC, 0,6A
Electronic	Compatible with stepper motor drive, current regulation
Options, variants	<ul style="list-style-type: none"> <li>• Vacuum compatible</li> <li>• Limit switches</li> <li>• Linear encoder</li> <li>• DC motor with rotary encoder</li> <li>• Electronic control box</li> </ul>



*Note: Other information or drawings on demand*

ISP SYSTEM • SA au capital 1 000 000 € • ZI de la Herray - B.P. 10047 • 65501 Vic-en-Bigorre • FRANCE  
 Tél : 05 62 33 44 44 • Fax : 05 62 33 44 45 • e-mail : [contact@isp-system.fr](mailto:contact@isp-system.fr) • <http://www.isp-system.fr>  
 RCS Tarbes B 410 675 078 • SIRET 410 675 078 00027 • APE 7112B