



DATASHEET
ISP 12A624FPI0006A

Radio Protected Injector Version 2

Patented ISP System N°2 958 550 - December the 21st, 2012
(Protective sleeve and syringe handling)
N° 2 958 625 –September the 12th, 2012 (Device for syringe preparation)

CE Medical– 07/2014

Updated : 03/12/2014

page 1

The Radio Protected Injector reduces the exposure of medical staff to ionizing radiations



Non contractual photos

Conception :

- This station reduces the exposure of medical staff to ionizing radiations for imaging application by PET (Positron Emission Tomography) and internal targeted radiotherapy.
- It makes possible to increase the prepared dose for a better therapeutic efficiency, also to improve the control of pipetting protocol (support from the control software of pipetting robot)
- The radio protected equipment operates on the 3 steps of the treatment :
 - o during patient's dose preparation
 - o during dose transport to his room or injection chamber
 - o during injection into the patient
- Thanks to its design, it can be adapted to various form of radiopharmaceutical conditioning
- Its radio-protection properties cover a wide emission spectrum
- The device has many advantages :
 - o Integration in most commercial shielded enclosure (glove box) such as MEDISYSTEM...

Applications :

- During treatment operations in radioactive environments

ISP SYSTEM • SA au capital 1 000 000 € • ZI de la Herry - B.P. 10047 • 65501 Vic-en-Bigorre • FRANCE
Tél : 05 62 33 44 44 • Fax : 05 62 33 44 45 • e-mail : contact@isp-system.fr • <http://www.isp-system.fr>
RCS Tarbes B 410 675 078 • SIRET 410 675 078 00027 • APE 7112B

This document belongs to ISP SYSTEM. It can not be used, reproduced or communicated with a written agreement
Information contained in this sheet are given as an indication, please ask ISP System.



DATASHEET
ISP 12A624FPI0006A

Radio Protected Injector Version 2

Patented *ISP System N°2 958 550* - December the 21st, 2012
(Protective sleeve and syringe handling)
N° 2 958 625 –September the 12th, 2012 (Device for syringe preparation)

CE Medical– 07/2014

Updated : 03/12/2014

page 2

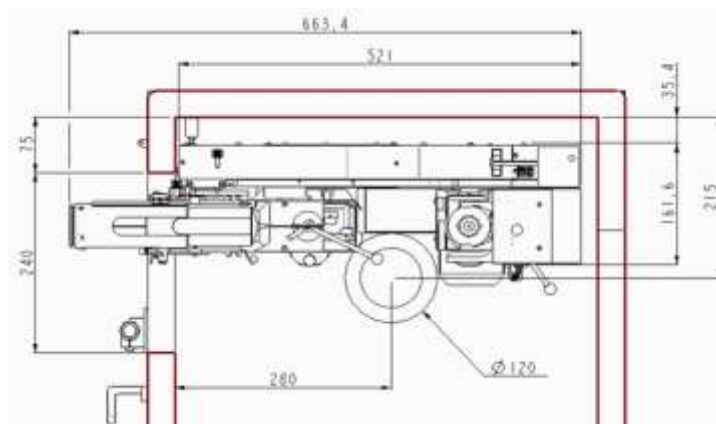
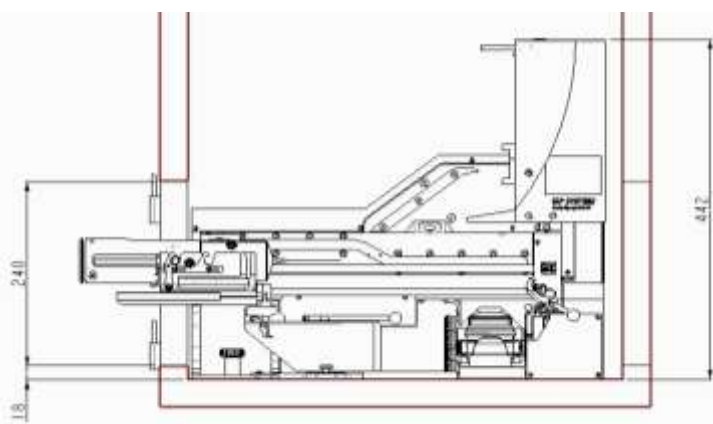
Pipetting device: The main function is to collect or inject semi automatically and accurately a product (for dosing formulation). It can be installed inside the shielded enclosure.

Injection trolley: Dedicated to transfer and injection of radiopharmaceutical preparation

Technical data

Reduction of the radiation exposure	50 to 90%	Ergonomic Software	Touch screen 6.2 inches with interactivity 5 preset cycles: -Collect(FDG) -Dose adjustment -MIBG (2 flasks) -ZEVAlIN -Octreoscan
Use of syringe	1ml, 10ml, 50ml with luer lock tip		
Shielded sleeve	Automatic locking system Attenuation : 500KeV		
Bottles	2.5ml and 15ml (10ml optional)	Trolley	- Shielded Enclosure: 20mm of lead - Integrated pump syringes - 2 pivoting rear wheels with unlockable break by handle -Various integrated support (bin, measuring tool, flask, drip)

Dimensions



ISP SYSTEM • SA au capital 1 000 000 € • ZI de la Herry - B.P. 10047 • 65501 Vic-en-Bigorre • FRANCE
Tél : 05 62 33 44 44 • Fax : 05 62 33 44 45 • e-mail : contact@isp-system.fr • <http://www.isp-system.fr>
RCS Tarbes B 410 675 078 • SIRET 410 675 078 00027 • APE 7112B

This document belongs to ISP SYSTEM. It can not be used, reproduced or communicated with a written agreement
Information contained in this sheet are given as an indication, please ask ISP System.