



High load precision ball joint mount R350-50

update : 2013/07/26

page 1

This Ball joint mount, developed for our positioning stages, ensures the link with the moved elements

Based on the principle of a coincidental link of a universal joint ball joint 3 pivot, they are manufactured thanks to 6 preloaded bearing and works without backlash.

The ball joint R350-50 has an excellent intrinsic mechanical aspect ensuring a support safety. In case of extreme stress degrading the rolling components, the mechanical parts ensure as a chain link , a support of the component.

The ball joint are totally steel and are compatible clean room ISO6.
Operation without maintenance.

An aluminum version is also available with reduced load.
Characteristics, dimensions and interfaces can be adapted upon request.

High stiffness subject of the 3 motion axes.





High load precision ball joint mount R350-50

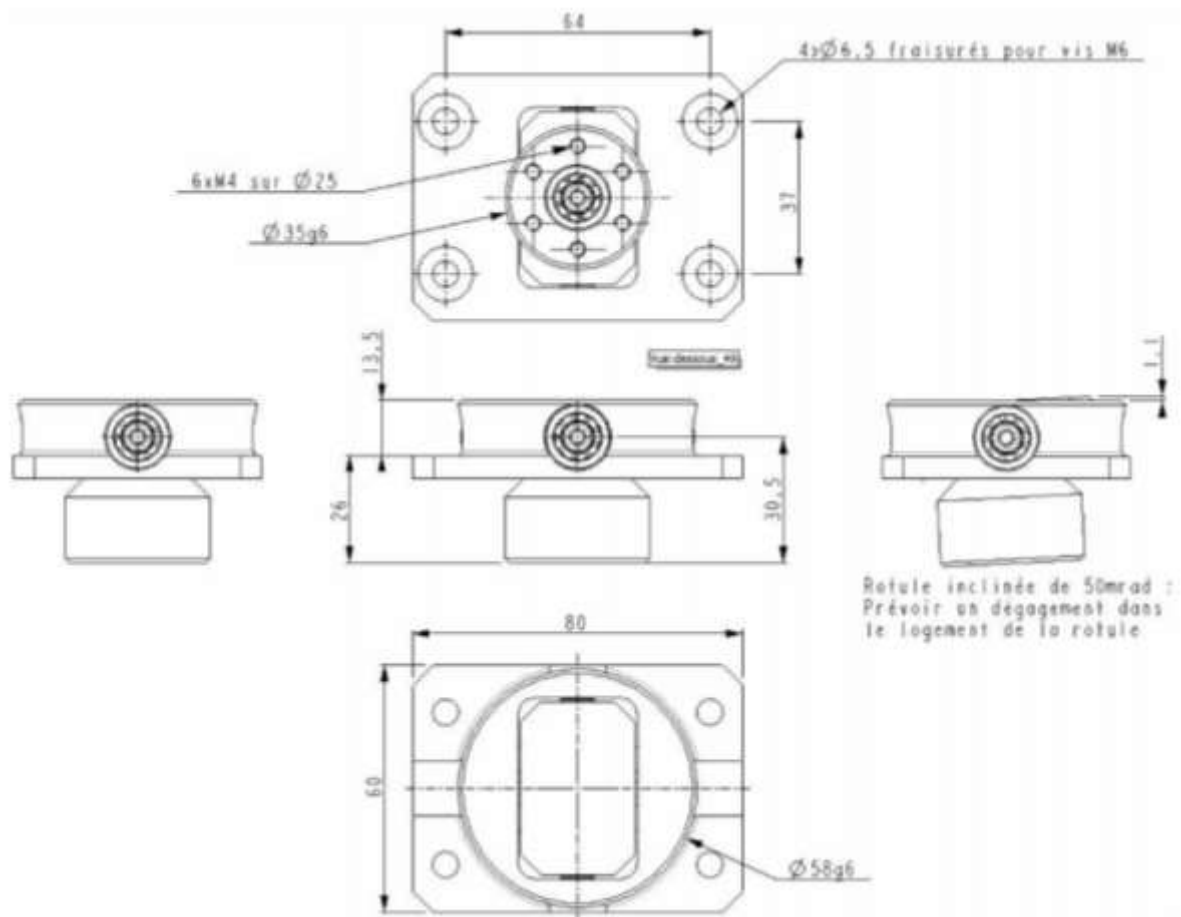
update : 2013/07/26

page 2

Characteristics : Range of movement:

- θX and θY : +/- 3 degree
- θZ : 360 degree
- Stiffness as per X, Y and Z : 12 N/ μ m
- Load Maximum as per X, Y or Z : 350N, no Backlash
- Mass (version Stainless) : 500g

Dimensions:



Nota: Technical data of this datasheet may be subject to modifications, depending on product updates

ISP SYSTEM • SA au capital 1 000 000 € • ZI de la Herry - B.P. 10047 • 65501 Vic-en-Bigorre • FRANCE
Tél : 05 62 33 44 44 • Fax : 05 62 33 44 45 • e-mail : contact@isp-system.fr • <http://www.isp-system.fr>
RCS Tarbes B 410 675 078 • SIRET 410 675 078 00027 • APE 7112B

This document belongs to ISP SYSTEM, it cannot be used, copied or communicated without a prior written agreement.
The mentioned information, herein, are subject to change. Thanks to consult ISP SYSTEM