



## Gimbal Mount for Large Optic

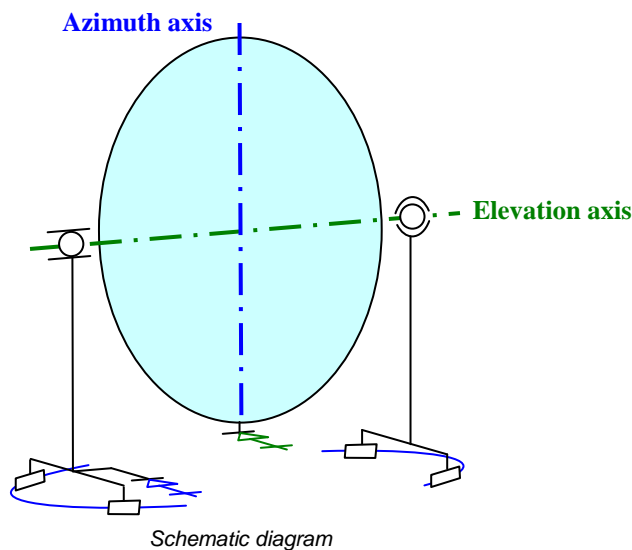
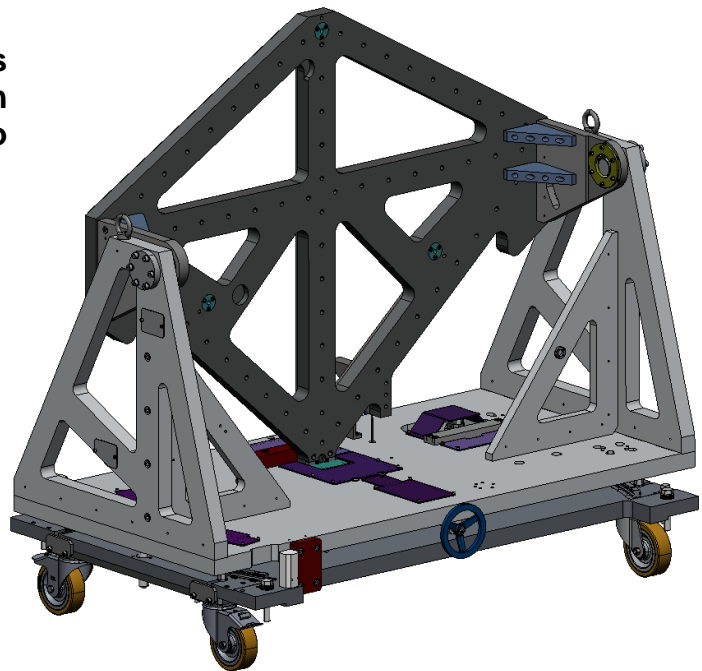
Update : 2016/07/25

page 1/3

This motorized mount for tip-tilt is driven by two linear stages. It can finely orient large optics, up to  $\varnothing$  1 500 mm diameter.

The motorized mount allows the adjustment of tip-tilt (azimuth and elevation) for optics.

The mount is fixed on a barrel through 3 points. Azimuth and elevation Axes intersect themselves at the center of the mirror surface. Elevation Axis is always located on the surface of the mirror.



Non contractual photo



## Gimbal Mount for Large Optic

Update : 2016/07/25

page 2/3

### Data sheet:

Tip-tilt mount characteristics	Value
Gimbal mount mass	650 Kg
Maximum optic mass	Up to 550 kg
Locking device for transport	Yes
Removable casters	Yes
High vacuum compatibility	Yes*

Actuators characteristics	Value
Power supply voltage	24V - 42V - 70V
Power supply current	2 A / phase
Resistance	0,8 $\Omega$ /phase
Inductance	2,4 mH/ Phase
Frequency	1000 Hz max
Number of steps	500 steps per turn
Gear ratio	41.6:1
Load capacity (axial)	1 500 N

Positioner characteristics	Value
Optic frame diameter	Up to $\varnothing$ 1 500 mm
Optic width	Up to 300 mm
Azimuth and elevation resolution	10 $\mu$ rad
Azimuth and elevation total stroke	$\pm 5^\circ$

\*Motors cannot operate under vacuum (thermal reasons).

#### Accessories :

- Removable casters (two with brakes).
- Hand wheels for axis rotation, out of power configuration.
- Axis locking flanges.

#### Option :

- Compatibility with high vacuum (motors operating under vacuum).

### Applications :

- Accurate and stable positioning of optics (collimator, metrology, optical bench, ...).



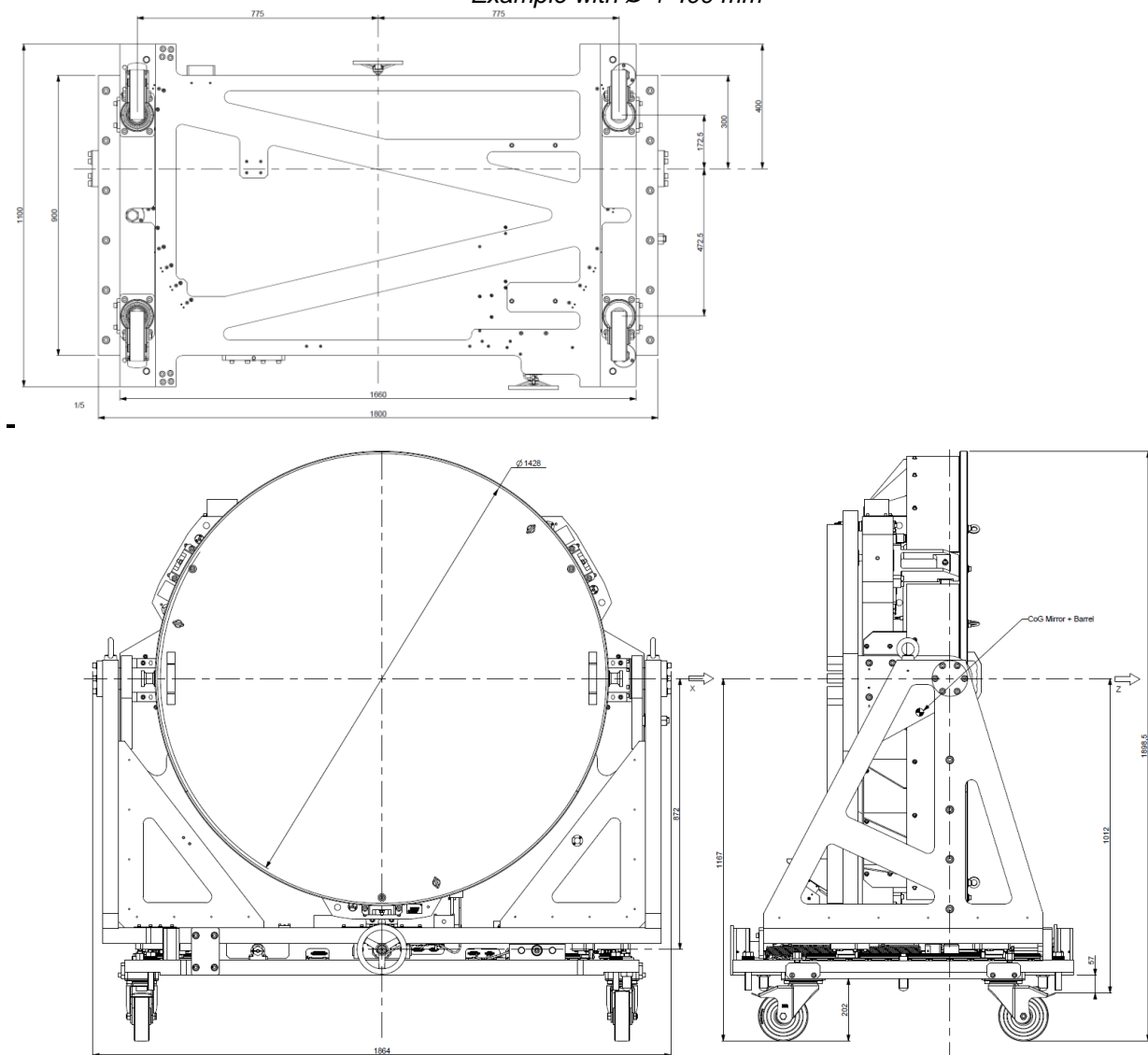
## Gimbal Mount for Large Optic

Update : 2016/07/25

page 3/3

### Dimensions :

Example with  $\varnothing$  1 400 mm



**Mirror on barrel (as shown on figures) are out of delivery.**

ISP SYSTEM • SA au capital 1 000 000 € • ZI de la Herry - B.P. 10047 • 65501 Vic-en-Bigorre • FRANCE  
Tél : 05 62 33 44 44 • Fax : 05 62 33 44 45 • e-mail : [contact@isp-system.fr](mailto:contact@isp-system.fr) • <http://www.isp-system.fr>  
RCS Tarbes B 410 675 078 • SIRET 410 675 078 00027 • APE 7112B